



VILLA
SISTEMI
MEDICALI

MEDICAL
IMAGING

Viromatic

R/F Tilting Table



Viromatic

The choice for the primary diagnostic *X-Ray room*

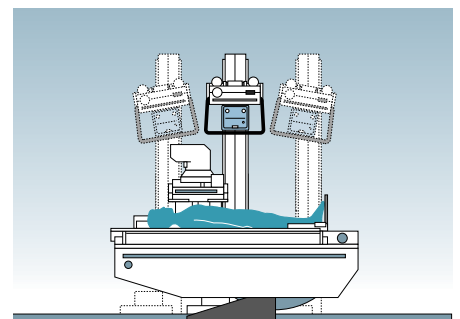
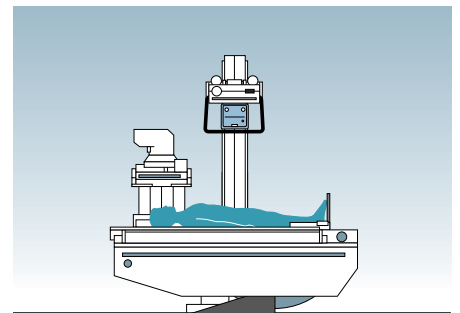
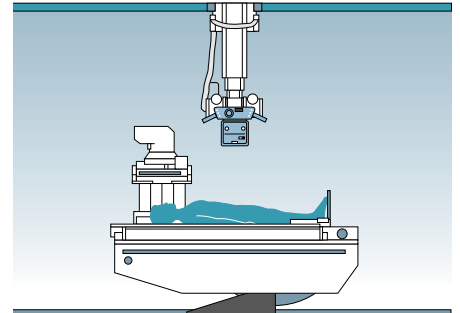
Viromatic is the first choice for all routine fluoroscopic and radiographic examinations. Clever modular design allows several possible configurations to fit every need of a primary diagnostic X-ray room.

Viromatic features a motorized tilting movement between + 90° (vertical) and -15° (trendelenburg), with automatic stop at limits and at horizontal; the motorized tabletop can be moved in 2 or 4 ways, according to your operative needs; the spot film device and the under-couch tube are servo-assisted, to make movements smooth and effortless, ensuring easy operation in every condition.

Viromatic can accept an over-table 9" (23cm) Image Intensifier with a three-field zoom selection, CCD camera and Last Image Hold function, without any ceiling suspension.

The wide range of movements facilitates the execution of all routine R/F studies





The TV subsystem is provided with a Dynamic Recursive Filter (DRF) that permits the acquisition of extremely sharp images. The recursive filter weight is automatically adjusted "pixel by pixel" to guarantee the maximum noise reduction in every condition and is automatically reduced to avoid dragging effect on moving objects thanks to the "Motion Detector" function.

Viromatic system is available in different configurations, to fit all your application needs:

- Viromatic table only for all routine fluoroscopic examinations.
- Viromatic table with under table bucky and floor mounted tubestand for fluoroscopic and general examinations.
- Viromatic table with under table bucky and floor mounted tubestand with Tomography attachment for fluoroscopic, general and tomographic examinations.
- Viromatic table with under table bucky and ceiling suspended tubestand for full coverage of the room surface.

All the above Viromatic configurations are supplied with a standard motorized undercouch collimator. Overcouch collimators (tubestand configuration) are manual with halogen lamp.



*The choice of configurations
and accessories makes
Viromatic the perfect choice for
your primary diagnostic room*

Villa Sistemi Medicali long-standing experience at the service of our customers



Competence in x-ray systems

Villa Sistemi Medicali specialists can provide qualified information on new x-ray systems, room structure and installation and equipment positioning.

A wide range of equipment

Villa Sistemi Medicali is among the major European manufacturers of radiological systems and offers a wide range of products, such as:

- Digital radiographic and angiographic systems
- Remote controlled tables
- Classical tilting tables
- General rad floating tables
- Chest stands
- Mobile units
- Surgical C arms
- HF Generators
- Dental units, Intra-oral and panoramic

Our priority: Technical Service

A wide network of highly skilled service engineers ensures effective and reliable maintenance of all Villa Sistemi Medicali equipment installed worldwide.

Preventive maintenance programs and Service Contracts are adapted to the needs of our customers

Logistic services: a widespread presence

Spare parts, accessories and consumables are shipped daily by Villa Sistemi Medicali to all its customers worldwide.